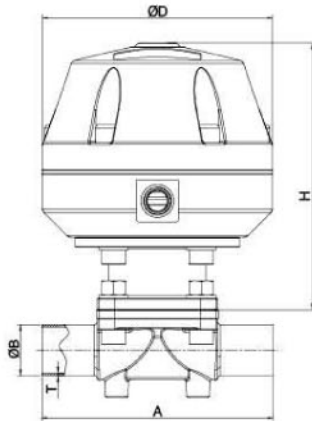


SANITARY DIAPHRAGM VALVE

Sanitary Pneumatic Welded Diaphragm Valve

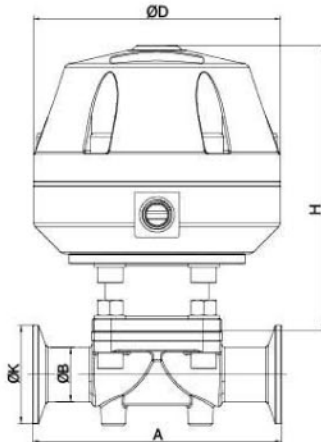
No.LV1001



DIN	Size			A	D	H	304	316
	3A	SMS	ISO					
DN20	3/4"	19	Φ19	108	126	146.2		
B×T	B×T	B×T	B×T					
22×1.5	19.1×1.65	19.1×1.5	19.1×1.5					
DN25	1"	25	Φ25	118	126	146.2		
B×T	B×T	B×T	B×T					
28×1.5	25.4×1.65	25.4×1.5	25.4×1.5					
DN32	1 1/4"	32	Φ32	127	126	146.2		
B×T	B×T	B×T	B×T					
34×1.5	31.8×1.65	31.8×1.5	31.8×1.5					
DN40	1 1/2"	38	Φ38	146	126	146.2		
B×T	B×T	B×T	B×T					
40×1.5	38.1×1.65	38.1×1.5	38.1×1.5					
DN65	2 1/2"	63	Φ63	216	126	146.2		
B×T	B×T	B×T	B×T					
70×2	63.5×1.65	63.5×2	63.5×2					

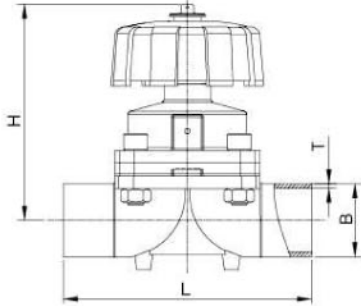
Sanitary Pneumatic Clamped Diaphragm Valve

No.LV2002



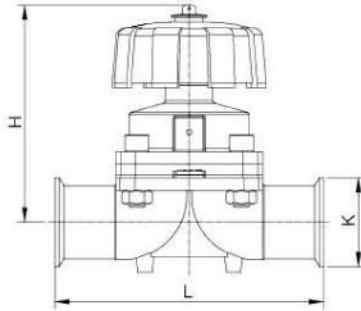
DIN	Size			A	D	H	304	316
	3A	SMS	ISO					
DN20	3/4"	19	Φ19	108	126	146.2		
B 22	B 19.1	B 19.1	B 19.1					
K 50.5	K 25.4	K 25.4	K 25.4					
DN25	1"	25	Φ25	118	126	146.2		
B 28	B 25.4	B 25.4	B 25.4					
K 50.5	K 50.5	K 50.5	K 50.5					
DN32	1 1/4"	32	Φ32	127	126	146.2		
B 34	B 31.8	B 31.8	B 31.8					
K 50.5	K 50.5	K 50.5	K 50.5					
DN40	1 1/2"	38	Φ32	146	126	146.2		
B 40	B 38.1	B 38.1	B 31.8					
K 50.5	K 50.5	K 50.5	K 50.5					
DN50	2"	51	Φ51	190	126	146.2		
B 52	B 50.8	B 50.8	B 50.8					
K 64.0	K 64.0	K 64.0	K 64.0					
DN65	2 1/2"	63	Φ63	216	126	146.2		
B 70	B 63.5	B 63.5	B 63.5					
K 91.0	K 77.5	K 77.5	K 77.5					

SANITARY DIAPHRAGM VALVE DIN



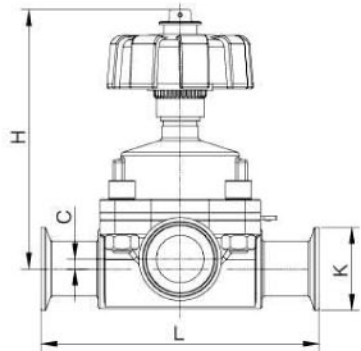
Sanitary Manual Welded Diaphragm Valve DIN No.LV-G001

Siz	L	B	H	T	304	316
DN10	108	12	93.5/102.5	1.5		
DN15	108	18	93.5/102.5	1.5		
DN20	118	22	111.5/122	1.5		
DN25	127	28	111.5/122	1.5		
DN32	146	34	144.5/160	1.5		
DN40	146	40	144.5/160	1.5		
DN50	190	52	167/190	1.5		
DN65	216	70	199/228	2		



Sanitary Manual Clamped Diaphragm Valve DIN No.LV-G002

Siz	L	K	H	304	316
DN10	108	25	93.5/102.5		
DN15	108	34	93.5/102.5		
DN20	118	50.5	111.5/122		
DN25	127	50.5	111.5/122		
DN32	146	50.5	144.5/160		
DN40	146	50.5	144.5/160		
DN50	190	64	167/190		
DN65	216	91	199/228		

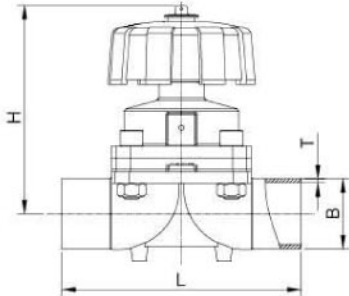


Sanitary Manual T-type
Three-way Diaphragm Valve

DIN No.LV-G003

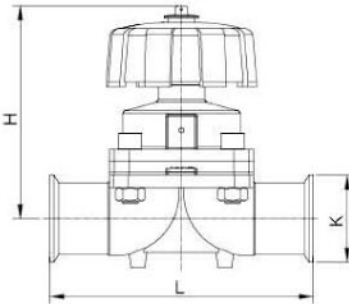
Siz	L	K	C	H	304	316
DN10	108	25	6	93.5/102.5		
DN15	108	34	6	93.5/102.5		
DN20	118	50.5	6	111.5/122		
DN25	127	50.5	6	111.5/122		
DN32	146	50.5	6	144.5/160		
DN40	146	50.5	6	144.5/160		
DN50	190	64	6	167/190		
DN65	216	91	6	199/228		

SANITARY DIAPHRAGM VALVE 3A



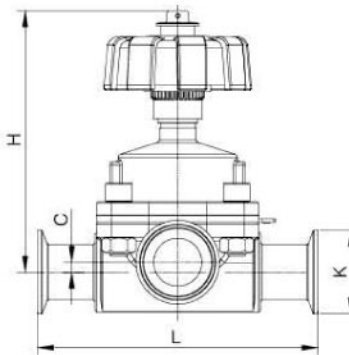
Sanitary Manual Welded Diaphragm Valve 3A No.LV-G004

Size	L	B	H	T	304	316
1/2"	108	12.7	93.5/102.5	1.65		
3/4"	108	19.1	93.5/102.5	1.65		
1"	118	25.4	111.5/122	1.65		
1 1/4"	127	31.8	144.5/160	1.65		
1 1/2"	146	38.1	144.5/160	1.65		
2"	190	50.8	167/190	1.65		
2 1/2"	216	63.5	199/228	1.65		



Sanitary Manual Clamped Diaphragm Valve 3A No.LV-G005

Size	L	K	H	304	316
1/2"	108	25.4	93.5/102.5		
3/4"	108	25.4	93.5/102.5		
1"	118	50.5	111.5/122		
1 1/4"	127	50.5	144.5/160		
1 1/2"	146	50.5	144.5/160		
2"	190	64	167/190		
2 1/2"	216	77.5	199/228		

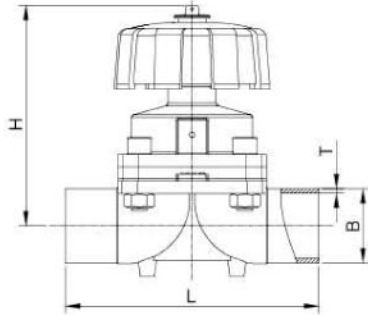


Sanitary Manual T-type Three-way Diaphragm Valve 3A No.LV-G006

Size	L	K	C	H	304	316
1/2"	108	25.4	6	93.5/102.5		
3/4"	108	25.4	6	93.5/102.5		
1"	118	50.5	6	111.5/122		
1 1/4"	127	50.5	6	144.5/160		
1 1/2"	146	50.5	6	144.5/160		
2"	190	64	6	167/190		
2 1/2"	216	77.5	6	199/228		

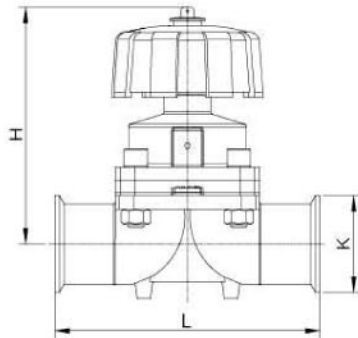
SANITARY DIAPHRAGM VALVE

SMS



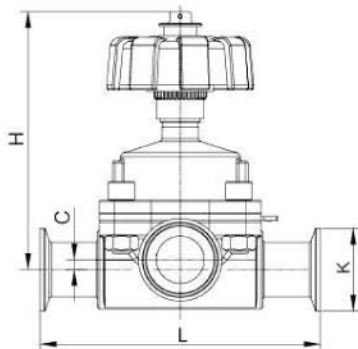
Sanitary Manual Welded Diaphragm Valve SMS No.LV-G007

Siz	L	K	H	304	316
12.7	108	12.7	93.5/102.5	1.5	
19	108	19.1	93.5/102.5	1.5	
25	118	25.4	111.5/122	1.5	
32	127	31.8	144.5/160	1.5	
38	146	38.1	144.5/160	1.5	
51	190	50.8	167/190	1.5	
63	216	63.5	199/228	2	



Sanitary Manual Clamped Diaphragm Valve SMS No.LV-G008

Siz	L	K	H	304	316
12.7	108	25.4	93.5/102.5		
19	108	25.4	93.5/102.5		
25	118	50.5	111.5/122		
32	127	50.5	144.5/160		
38	146	50.5	144.5/160		
51	190	64	167/190		
63	216	77.5	199/228		

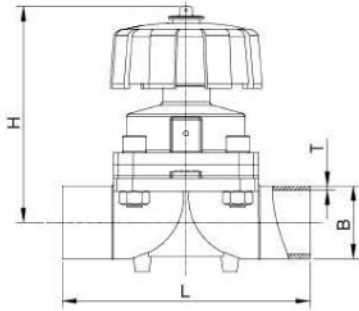


Sanitary Manual T-type
Three-way Diaphragm Valve

SMS No.LV-G009

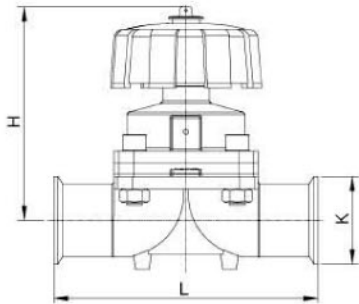
Siz	L	K	C	H	304	316
12.7	108	25.4	6	93.5/102.5		
19	108	25.4	6	93.5/102.5		
25	118	50.5	6	111.5/122		
32	127	50.5	6	144.5/160		
38	146	50.5	6	144.5/160		
51	190	64	6	167/190		
63	216	77.5	6	199/228		

SANITARY DIAPHRAGM VALVE ISO



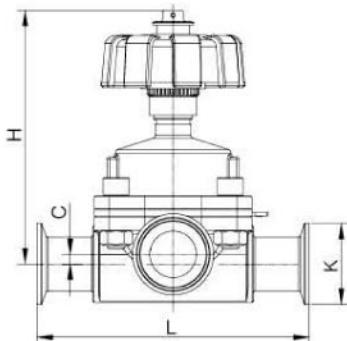
Sanitary Manual Welded Diaphragm Valve ISO No.LV-G010

Siz	L	B	H	T	304	316
12.7	108	12.7	93.5/102.5	1.5		
19	108	19.1	93.5/102.5	1.5		
25	118	25.4	111.5/122	1.5		
32	127	31.8	144.5/160	1.5		
38	146	38.1	144.5/160	1.5		
51	190	50.8	167/190	1.5		
63	216	63.5	199/228	2		



Sanitary Manual Clamped Diaphragm Valve ISO No.LV-G011

Siz	L	K	H	304	316
12.7	108	25.4	93.5/102.5		
19	108	25.4	93.5/102.5		
25	118	50.5	111.5/122		
32	127	50.5	144.5/160		
38	146	50.5	144.5/160		
51	190	64	167/190		
63	216	77.5	199/228		



Sanitary Manual T-type Three-way Diaphragm Valve ISO No.LV-G012

Siz	L	K	C	H	304	316
12.7	108	25.4	6	93.5/102.5		
19	108	25.4	6	93.5/102.5		
25	118	50.5	6	111.5/122		
32	127	50.5	6	144.5/160		
38	146	50.5	6	144.5/160		
51	190	64	6	167/190		
63	216	77.5	6	199/228		