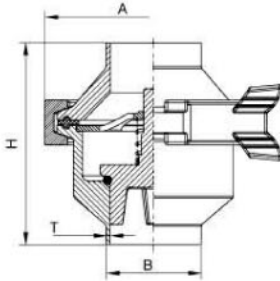


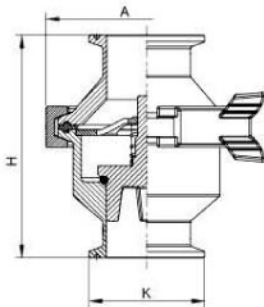
## SANITARY CHECK VALVE DIN



Welded check valve

DIN No.LV-F001

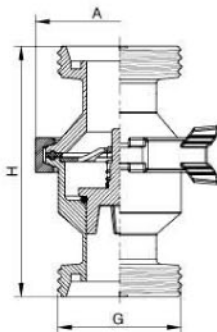
Size	A	B	H	T	304	316
DN15	62.5	19	75	1.5		
DN20	62.5	23	75	1.5		
DN25	77.5	29	78	1.5		
DN32	77.5	35	78	1.5		
DN40	89	41	80.5	1.5		
DN50	105	53	86	1.5		
DN65	134	70	97	2		
DN80	145	85	105	2		
DN100	158.5	104	105	2		



Clamped check valve

DIN No.LV-F002

Size	A	K	H	304	316
DN15	62.5	34	100		
DN20	62.5	34	100		
DN25	77.5	50.5	103		
DN32	77.5	50.5	103		
DN40	89	50.5	105.5		
DN50	105	64	111		
DN65	134	91	122		
DN80	145	106	130		
DN100	158.5	119	130		

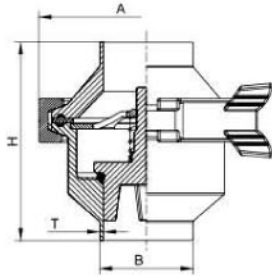


Threaded check valve

DIN No.LV-F003

Size	A	G	H	304	316
DN15	62.5	RD34X1/8	109		
DN20	62.5	RD44X1/8	115		
DN25	77.5	RD52X1/8	122		
DN32	77.5	RD58X1/8	122		
DN40	89	RD65X1/8	124.5		
DN50	105	RD78X1/8	130		
DN65	134	RD95X1/8	145		
DN80	145	RD110X1/4	161		
DN100	158.5	RD130X1/4	161		

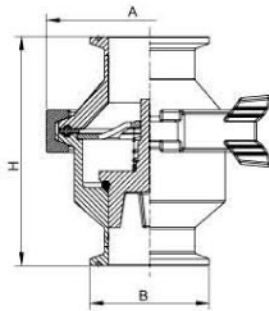
## SANITARY CHECK VALVE 3A



Welded check valve

3A No.LV-F004

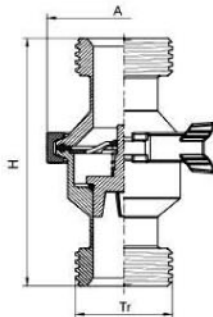
Size	A	B	H	T	304	316
1/2"	62.5	12.7	75	1.65		
3/4"	62.5	19.05	75	1.65		
1"	77.5	25.4	78	1.65		
1 1/2"	89	38.1	78	1.65		
2"	105	50.8	80.5	1.65		
2 1/2"	118.5	63.5	86	1.65		
3"	134	76.2	97	1.65		
4"	158.5	101.6	105	2.1		



Clamped check valve

3A No.LV-F005

Size	A	K	H	304	316
1/2"	62.5	25.4	88.6		
3/4"	62.5	25.4	88.6		
1"	77.5	50.5	88.6		
1 1/2"	89	50.5	94.3		
2"	105	64	105		
2 1/2"	118.5	77.5	116		
3"	134	91	123.5		
4"	158.5	119	123.5		

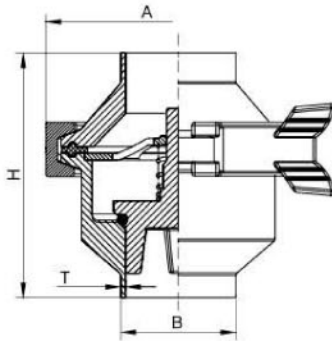


Threaded Check Valve

3A No.LV-F006

Size	A	Tr	H	304	316
1"	77.5	37.13X1/8 TACME	114.6		
1 1/2"	89	50.65X1/8 TACME	117.1		
2"	105	64.17X1/8 TACME	124.2		
2 1/2"	118.5	77.67X1/8 TACME	141.4		
3"	134	91.19X1/8 TACME	151.2		
4"	158.5	119.25X1/6 TACME	157.4		

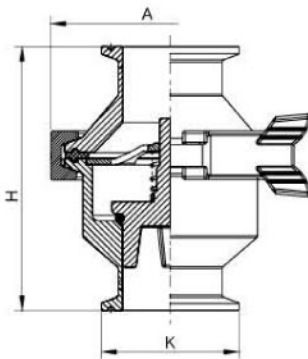
## SANITARY CHECK VALVE SMS



Welded check valve

SMS No.LV-F007

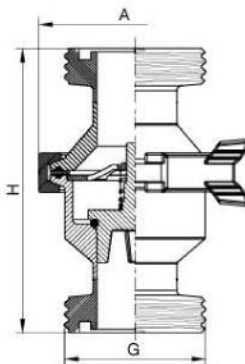
Size	A	B	H	T	304	316
25	77.5	25.4	78	1.5		
32	77.5	31.8	78	1.5		
38	89	38.1	80.5	1.5		
51	105	50.8	88	1.5		
63	118.5	63.5	97	2		
76	134	76.2	105	2		
102	158.5	101.6	105	2		



Clamped check valve

SMS No.LV-F008

Size	A	K	H	304	316
25	77.5	50.5	88.6		
32	77.5	50.5	88.6		
38	89	50.5	94.3		
51	105	64	105		
63	118.5	77.5	116		
76	134	91	123.5		
102	158.5	119	123.5		

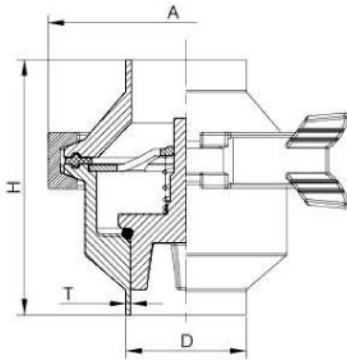


Threaded check valve

SMS No.LV-F009

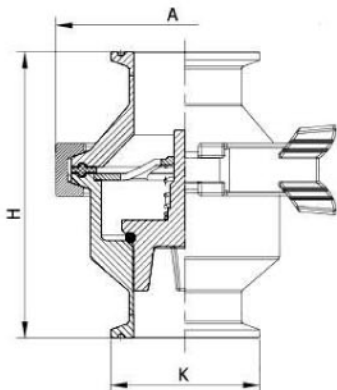
Size	A	G	H	304	316
25	77.5	RD40X1/6	108		
32	77.5	RD48X1/6	110		
38	89	RD60X1/6	120.5		
51	105	RD70X1/6	126		
63	118.5	RD85X1/6	141		
76	134	RD98X1/6	151		
102	158.5	RD125X1/4	157		

## SANITARY CHECK VALVE ISO / IDF


**Welded check valve**

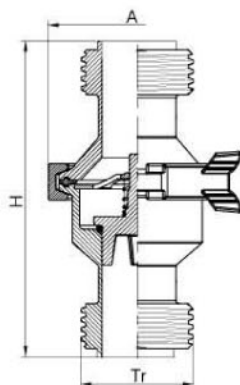
ISO/IDF No.LV-F010

Size	A	D	H	T	304	316
19	62.5	19.1	75	1.5		
25	77.5	25.4	78	1.5		
32	77.5	31.8	78	1.5		
38	89	38.1	80.5	1.5		
45	105	45	86	2		
51	105	50.8	86	1.5		
63	118.5	63.5	97	2		
76	134	76.2	105	2		
89	134	89	105	2		
102	158.5	101.6	105	2		


**Clamped check valve**

ISO/IDF No.LV-F011

Size	A	K	H	304	316
25	77.5	50.5	88.6		
38	89	50.5	94.3		
51	105	64	105		
63	118.5	77.5	116		
76	134	91	123.5		
102	158.5	119	123.5		

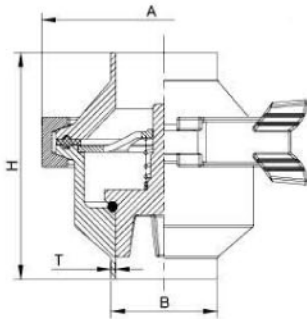

**Threaded Check Valve**

ISO/IDF No.LV-F012

Size	A	Tr	H	304	316
25	77.5	37.13X1/8 TACME	121		
38	89	50.65X1/8 TACME	123.5		
51	105	64.17X1/8 TACME	129		
63	118.5	77.6X1/8 TACME	140		
76	134	91.1X1/8 TACME	148		
102	158.5	118.2X1/8 TACME	148		



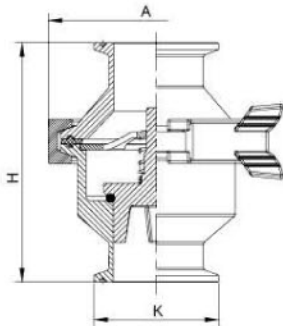
## SANITARY CHECK VALVE DS



Welded check valve

DS No.LV-F013

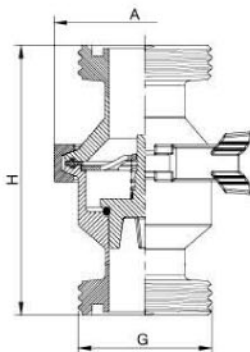
Size	A	B	H	T	304	316
1"	77.5	25.4	78	1.45		
1 1/2"	89	38.4	80.5	1.45		
2"	105	51.4	88	1.45		
2 1/2"	118.5	63.9	97	1.7		
3"	134	76.4	105	2.2		
4"	158.5	102	105	2.2		



Clamped check valve

DS No.LV-F014

Size	A	K	H	304	316
1"	77.5	50.5	88.6		
1 1/2"	89	50.5	94.3		
2"	105	64	105		
2 1/2"	118.5	77.5	116		
3"	134	91	123.5		
4"	158.5	119	123.5		

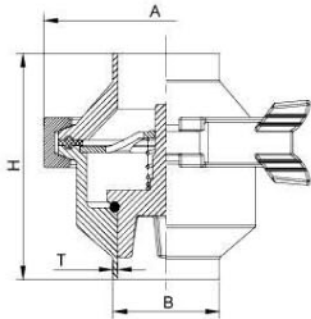


Threaded check valve

DS No.LV-F015

Size	A	G	H	304	316
1"	77.5	RD44X1/6	115		
1 1/2"	89	RD58X1/6	120.5		
2"	105	RD72X1/6	126		
2 1/2"	118.5	RD88X1/6	145		
3"	134	RD100X1/6	153		
4"	158.5	RD130X1/6	153		

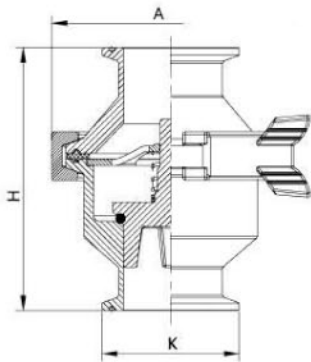
## SANITARY CHECK VALVE BS-RJT



Welded check valve

BS-RJT No.LV-F016

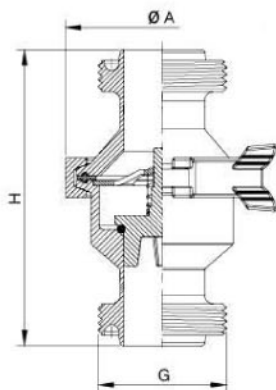
Size	A	B	H	T	304	316
1"	77.5	25.85	78	1.725		
1 1/2"	89	38.35	80.5	1.725		
2"	105	51.05	86	1.725		
2 1/2"	118.5	63.75	97	1.725		
3"	134	76.45	105	1.725		
4"	158.5	101.85	105	2.125		



Clamped check valve

BS-RJT No.LV-F017

Size	A	K	H	304	316
1"	77.5	50.5	88.6		
1 1/2"	89	50.5	94.3		
2"	105	64	105		
2 1/2"	118.5	77.5	116		
3"	134	91	123.5		
4"	158.5	119	123.5		



Threaded Check Valve

BS-RJT No.LV-F018

Size	A	G	H	304	316
1"	77.5	45.7x1/8 TWHIT	130.6		
1 1/2"	89	58.4x1/8 TWHIT	133.1		
2"	105	72.7x1/8 TWHIT	138.6		
2 1/2"	118.5	85.4x1/8 TWHIT	149.6		
3"	134	98.1x1/8 TWHIT	157.6		
4"	158.5	123.5x1/8 TWHIT	157.6		