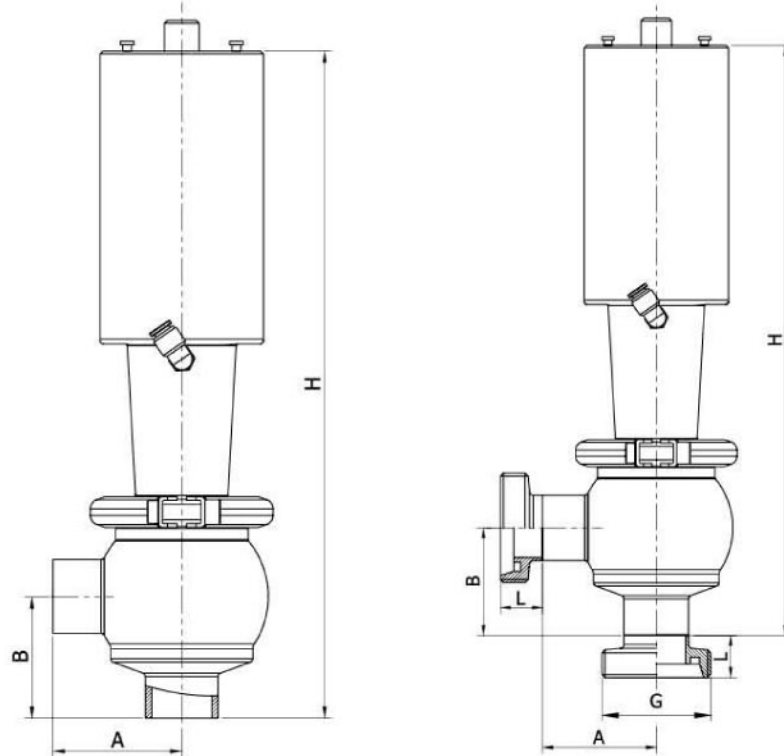


PNEUMATIC VALVE
Sanitary Stop Valve (RJ)


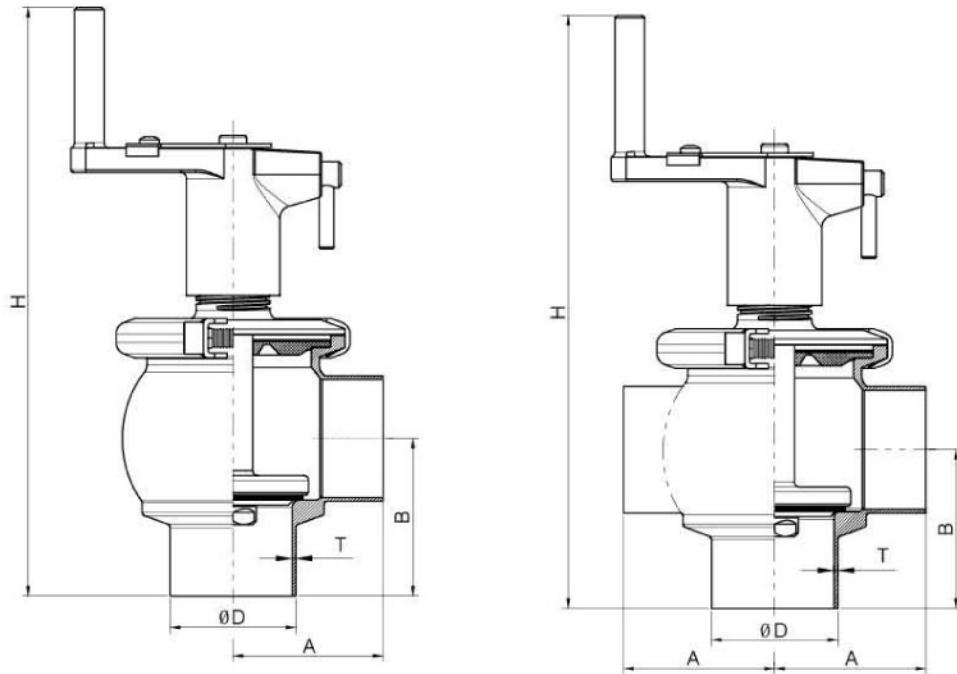
Pneumatic Stop Valve

No.LV-I001

DIN		Size						H	A	B
		3A		SMS		ISO				
DN40		1 1/2"		38		Φ38		485.0	68.0	62.0
G	L	G	L	G	L	G	L			
RD65x1/6	22.0	50.65x1/8 TACME	18.3	RD60x1/6	20.0	50.6x1/8 TACME	21.5			
DN50		2"		51		Φ51		528.0	68.0	62.0
G	L	G	L	G	L	G	L			
RD78x1/6	22.0	64.17x1/8 TACME	19.1	RD70x1/6	21.0	60.2x1/8 TACME	21.5			
		2 1/2"		63		Φ63		539.0	84.5	81.3
		G	L	G	L	G	L			
		77.67x1/8 TACME	22.2	RD85x1/6	22.0	77.7x1/8 TACME	21.5			
DN65		3"		76		Φ76		585.0	93.5	93.5
G	L	G	L	G	L	G	L			
RD95x1/6	24.0	91.19x1/8 TACME	23.1	RD98x1/6	24.0	91.2x1/8 TACME	21.5			
DN80								596.0	118.5	115.0
G	L									
RD110x1/4	28.0									
DN100		4"		102		Φ102		623.0	118.5	115.0
G	L	G	L	G	L	G	L			
RD130x1/4	28.0	119.25x1/6 TACME	26.2	RD125x1/4	26.0	118.4x1/8 TACME	21.5			

PNEUMATIC VALVE

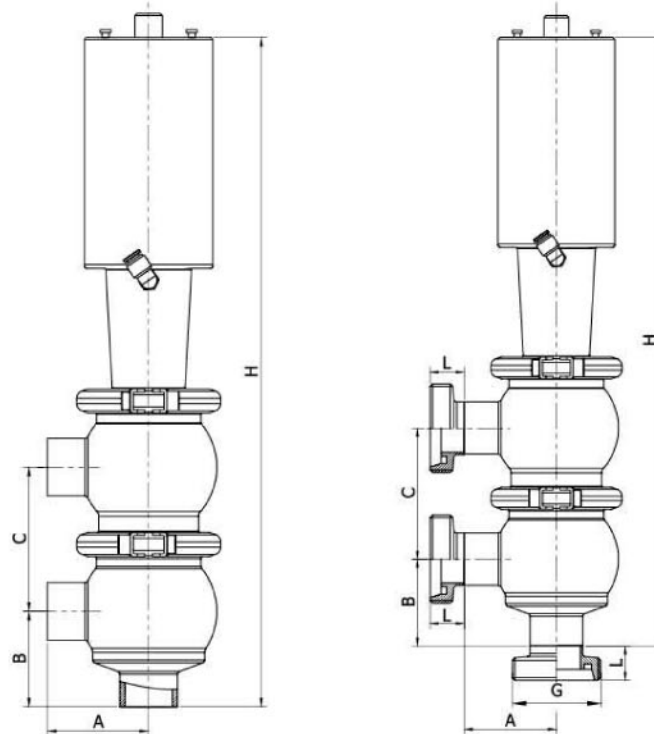
Sanitary Stop Valve (RJ)



Manual Stop Valve

No.LV-I002

DIN	Size			H	A	B
	3A	SMS	ISO			
DN25 DXT 28X1.5	1" DXT 25.4X1.65	25 Dx T 25.4x1.5	Ø25 D xT 25.4x1.5	223.0	68.0	62.0
DN32 DXT 34X1.5	1 1/4" DXT 31.8X1.65	32 Dx T 31.8x1.5	Ø32 D xT 31.8x1.5	223.0	68.0	62.0
DN40 DXT 40X1.5	1 1/2" DXT 38.1X1.65	38 Dx T 38.1x1.5	Ø38 D xT 38.1x1.5	223.0	68.0	62.0
DN50 DXT 52X1.5	2" DXT 50.8X1.65	51 Dx T 50.8x1.5	Ø51 D xT 50.8x1.5	223.0	68.0	62.0

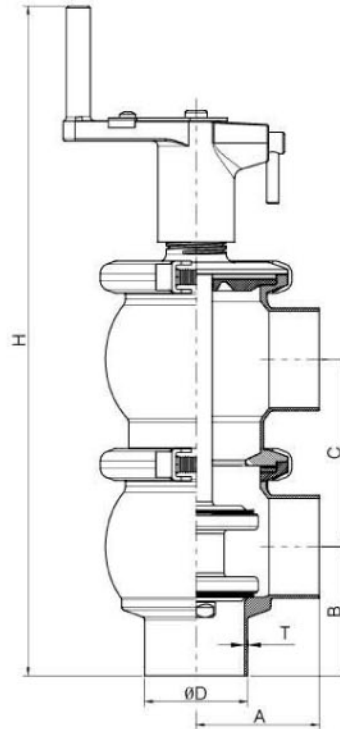
PNEUMATIC VALVE
Sanitary Reversing Valve (RJ)

Pneumatic Reversing Valve

No.LV-I003

DIN		Size						H	A	B	C
		3A	SMS		ISO						
DN40 G RD65X1/6	L 22.0	1 1/2" G 50.65 x1/8 TACME	L 18.3	38 G RD60X1/6	L 20.0	Φ38 G 50.6 x1/8 TACME	L 21.5	552.0	68.0	62.0	93.0
DN50 G RD78X1/6	L 22.0	2" G 64.17 x1/8 TACME	L 19.1	51 G RD70X1/6	L 20.0	Φ51 G 64.2 x1/8 TACME	L 21.5	604.0	68.0	62.0	93.0
		2 1/2" G 77.67x 1/8 TACME	L 22.2	63 G RD85X1/6	L 22.0	Φ63 G 77.7 x1/8 TACME	L 21.5	628.0	84.5	81.3	95.0
DN65 G RD95X1/6	L 24.0	3" G 91.19x 1/8 TACME	L 23.1	76 G RD98X1/6	L 23.0	Φ76 G 91.2 x1/8 TACME	L 21.5	686.0	93.5	93.5	116.0
DN80 G RD110X1/4	L 28.0							707.0	118.5	115.0	138.0
DN100 G RD130X1/4	L 28.0	4" G 119.25x 1/6 TACME	L 26.2	102 G RD125X1/4	L 26.0	Φ102 G 118.4 x1/8 TACME	L 21.5	753.0	118.5	115.0	138.0

PNEUMATIC VALVE

Sanitary Reversing Valve (RJ)



Manual Reversing Valve

No.LV-I004

DIN	Size			H	A	B	C
	SA	SMS	ISO				
DN25 DXT 28X1.5	1" DXT 25.4X1.65	25 DxT 25.4x1.5	Φ25 DxT 25.4x1.5	320.0	68.0	62.0	93.0
DN32 DXT 34X1.5	1 1/4" DXT 31.8X1.65	32 DxT 31.8x1.5	Φ32 DxT 31.8x1.5	320.0	68.0	62.0	93.0
DN40 DXT 40X1.5	1 1/2" DXT 38.1X1.65	38 DxT 38.1x1.5	Φ38 DxT 38.1x1.5	320.0	68.0	62.0	93.0
DN50 DXT 52X1.5	2" DXT 50.8X1.65	51 DxT 50.8x1.5	Φ51 DxT 50.8x1.5	320.0	68.0	62.0	93.0