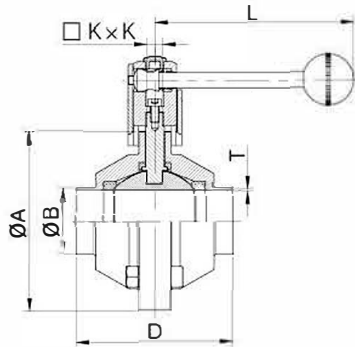




BREWFLEX

A U S T R A L I A

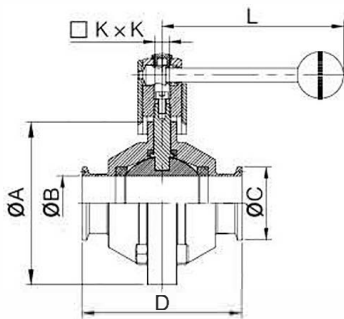
BPE



Welded Butterfly-type Ball Valve

No.LV-H004

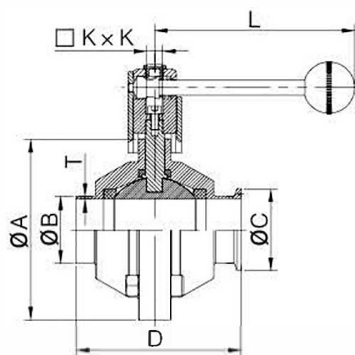
Size	A	B	D	KxK	L	T		
3/4"	86	19.05	60	10X10	136	1.65		
1"	92	25.4	67	10X10	136	1.65		
1 1/4"	106	31.8	78	10X10	136	1.65		
1 1/2"	115	38.1	85	10X10	136	1.65		
2"	131	50.8	92.4	10X10	136	1.65		
2 1/2"	160	63.5	118	10X10	136	1.65		
3"	186	76.2	148	10X10	163	1.65		
4"	220	101.6	174	10X10	163	2.1		



Clamped Butterfly-type Ball Valve

No.LV-H005

Size	A	B	D	KxK	L	T		
3/4"	86	15.75	25.4	80	10X10	136		
1"	92	22.1	50.5	87	10X10	136		
1 1/4"	106	28.5	50.5	98	10X10	136		
1 1/2"	115	34.8	50.5	105	10X10	136		
2"	131	47.5	64	112.4	10X10	136		
2 1/2"	160	60.2	77.5	138	10X10	136		
3"	186	72.9	91	168	10X10	163		
4"	220	97.4	119	194	10X10	163		



Welded / Clamped Butterfly-type Ball Valve

No.LV-H006

Size	A	B	D	KxK	L	T	304	316
3/4"	86	19.05	25.4	70	10X10	136	1.65	
1"	92	25.4	50.5	77	10X10	136	1.65	
1 1/4"	106	31.8	50.5	88	10X10	136	1.65	
1 1/2"	115	38.1	50.5	95	10X10	136	1.65	
2"	131	50.8	64	102.4	10X10	136	1.65	
2 1/2"	160	63.5	77.5	128	10X10	136	1.65	
3"	186	76.2	91	158	10X10	163	1.65	
4"	220	101.6	119	184	10X10	163	2.1	